

NEW !

DucoSun Cubic

Architectural Sun Control



- + Optimum balance between light entry & awning
- + Very tight design
- + The unique right-angled blades ensure a uniform and aesthetic façade appearance in the open & closed position
- + DucoSun Cubic can be installed as a fixed or a movable system

Tel 0032-58/33 00 66 - Fax 0032-58/33 00 67 - info@duco.eu - www.duco.eu

DUCO[®]
VENTILATION & SUN CONTROL

DucoSun Cubic

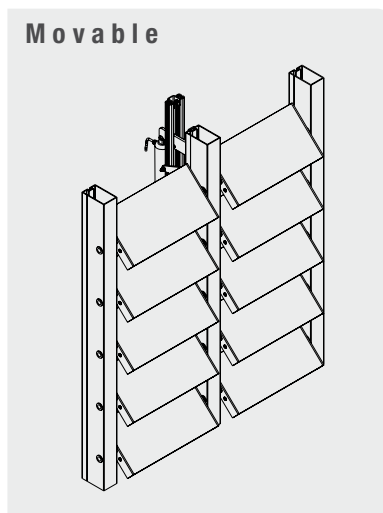
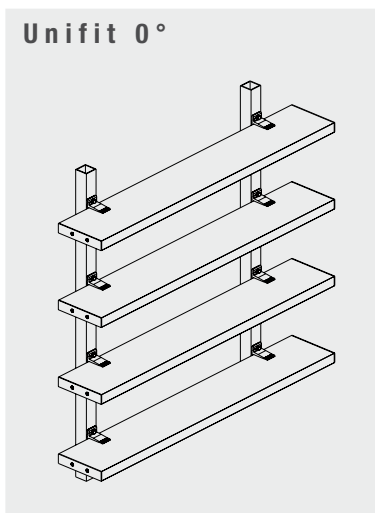
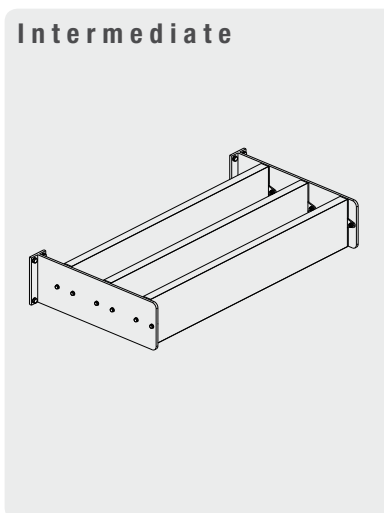
Architectural Sun Control



DucoSun Cubic is an external architectural awning system made from extruded aluminium blades. The DucoSun Cubic Interlink is a fixed system where the blades are installed in-between the structure and form a tight whole. DucoSun Cubic can also be installed as a fixed continuous awning system by using the Unifit system. DucoSun Cubic Interlink & Unifit (under 0°) systems can be integrated in both a vertical and a horizontal system.

DucoSun Cubic can also be installed as an adjustable system. DucoSun Cubic movable guarantees a uniform façade appearance as well the best possible shade in the closed position where the blades are inline with the façade plane. The right-angled blades that are installed on site in the structure provide a tight and aesthetic design.

DucoSun Cubic ensures a good balance between awning and light entry without changing the colour of the incident light, prevents glare and keeps the room cool.



FAX ————— 0032-58/33 00 67

Yes, we would like to receive further information on the DucoSun 'Cubic' range.

Yes, we would like to be contacted by your Sales Advisor :

Company :
 Adress :
 Phone :
 Person to contact:

Tel 0032-58/33 00 66 - Fax 0032-58/33 00 67 - info@duco.eu - www.duco.eu

