

NEW !

DucoSun Linear

Architectural Sun Control



- + Optimum balance between light entry & awning
- + Blades are in-line with the façade plane
- + 100 % sun and light blocking
- + DucoSun Linear can be installed as a fixed or a movable system

Tel 0032-58/33 00 66 - Fax 0032-58/33 00 67 - info@duco.eu - www.duco.eu

DUCO[®]
VENTILATION & SUN CONTROL

DucoSun Linear

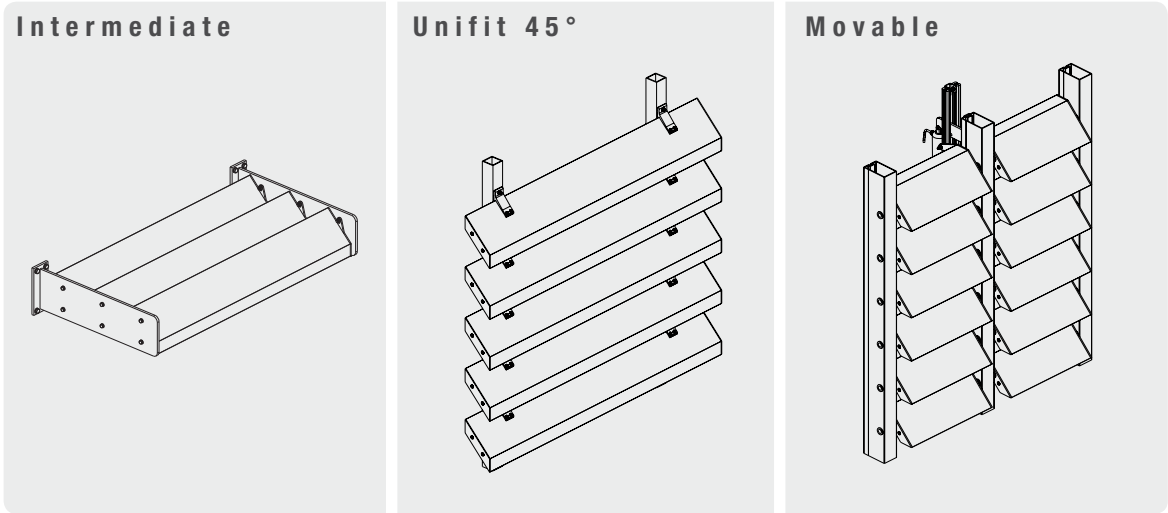
Architectural Sun Control



DucoSun Linear is an external architectural awning system made from extruded aluminium blades. The DucoSun Linear Intermediate is a fixed system where the blades are installed in-between the structure and form a compact whole. DucoSun Linear can also be installed as a fixed continuous awning system by using the Unifit system. DucoSun Linear Intermediate & Unifit (under 45°) systems can be integrated in both a vertical and a horizontal system.

DucoSun Linear can also be installed as an adjustable system. DucoSun Linear movable guarantees a uniform façade appearance as well the best possible shade in the closed position where the blades are inline with the façade plane. The uniquely shaped blades (parallelogram) that are installed on site in the structure provide a tight and aesthetic design.

DucoSun Linear ensures a good balance between awning and light entry without changing the colour of the incident light, prevents glare and keeps the room cool.



FAX ————— **0032-58/33 00 67**

Yes, we would like to receive further information on the DucoSun 'Linear' range.

Yes, we would like to be contacted by your Sales Advisor :

Company :
 Adress :
 Phone :
 Person to contact:

Tel 0032-58/33 00 66 - Fax 0032-58/33 00 67 - info@duco.eu - www.duco.eu

